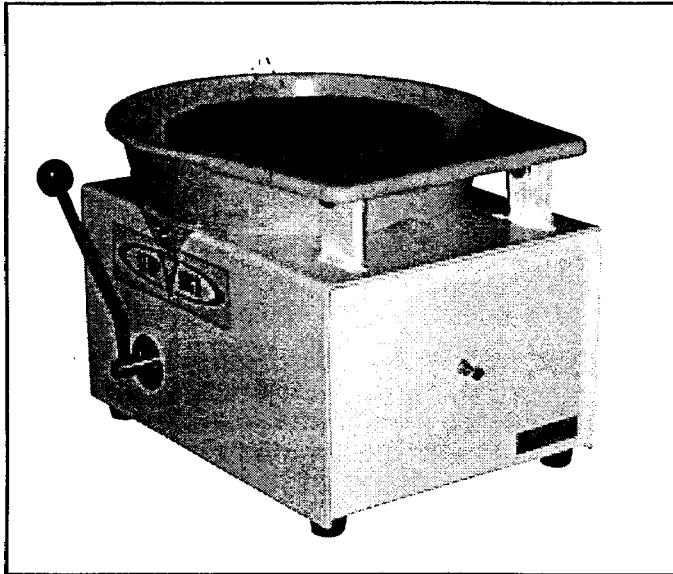


RK-Table Top Potter's Wheel Instruction Manual



Congratulations on your purchase of a Shimpo RK-Table Top potter's wheel! We trust you will enjoy many years of professional results from your wheel.

Please read the entire instruction manual thoroughly before initial set-up and operation; the information contained herein will aid you in operating your Shimpo wheel safely and with excellent results.

If you have any questions regarding our product(s), call your local Shimpo dealer or contact Shimpo Ceramics directly for assistance.

Inspection/Standard Accessories

If upon delivery shipping damage is detected, do not operate the wheel. Notify shipping carrier immediately for damage claim instructions. Record serial number for future reference.

Item(s) included with the RK-Table Top are:

- (1) L-wrench
- (1) Fuse

Features and Benefits

Shimpo's compact RK-Table Top potter's wheel achieves speeds of 0-240 RPM and incorporates the following quality features:

- Compact style lets wheel fit into small spaces; stores easily
- Convenient built-in splashpan features a built-in shelf for tools and a handy drain plug
- Direction of wheel head rotation is switch-controlled, accommodating left and right hand users
- Fixed speed lever saves space and eliminates cords
- Versatile design allows use as a manual banding wheel

Important Safety Instructions



Do not plug power cord into an extension cord (plug directly into electrical wall outlet).



Do not overload the wheel head with clay or force it to stop, as this will shorten the life of the drive ring; the maximum weight of the clay should not exceed 10 pounds.



Do not turn off the motor before the speed lever is at the STOP position as damage will occur to the drive ring.



Do not move speed lever when power is off (this will damage the drive ring and cause vibration).



Do not carry the unit by the wheel head or splashpan; hold both sides of the metal housing when moving.



After operating, before cleaning or inspection:

1. Turn wheel OFF by adjusting the setting switch to the CENTER (OFF) position.
2. Unplug wheel from power source.
3. Do not tilt wheel to drain splashpan.

Set-Up

The following steps should be followed BEFORE operating the wheel:

1. Place the wheel on a firm and stable work surface.
2. Placing the unit on a mat can avoid vibration and noise.

A Tradition of Excellence
SHIMPO

A Nidec Group Company

Operation

Wheel Operation

1. Plug electrical cord into 115 volt outlet (standard U.S. household outlet).
2. Select direction of wheel head by adjusting the setting switch: in the REV. position, the wheel will turn counter-clockwise; in the FWD. position, the wheel will turn clockwise; in the CENTER (OFF) position, the wheel is stopped (figure 1).

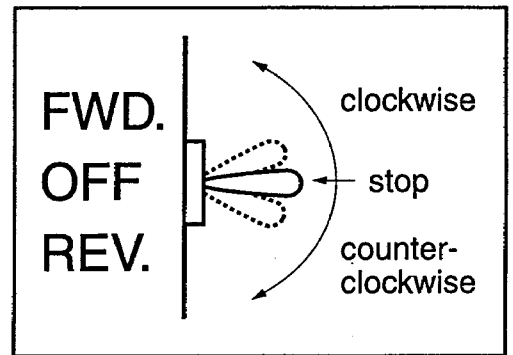
CAUTION: Do not quickly change the direction of the wheel head. Before switching the direction, set the switch to the CENTER (OFF) position. Wait at least 5 seconds until the motor stops completely then set the switch to the new direction desired.

3. Place clay on wheel head.

CAUTION: Do not overload the wheel head with clay; the maximum weight of the clay should not exceed 10 pounds.

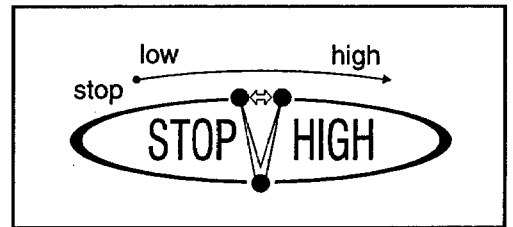
4. Move speed lever forward to desired speed (figure 2); move lever backward to reduce speed.
5. To stop the wheel, move the speed lever to the STOP position.
6. To turn off the wheel, move the setting switch to the CENTER (OFF) position.

CAUTION: Do not turn off the motor before the speed lever is at the STOP position, as damage will occur to the drive ring; do not move speed lever when power is off.



SETTING SWITCH
(on left side of wheel)

Figure 1



SPEED LEVER
(on right side of wheel)

Figure 2

Banding Wheel Operation

The wheel head can be used as a manual banding wheel when the speed lever is at the STOP position and setting switch is at the CENTER (OFF) position. Turn the wheel head by hand in either direction when desired.

Maintenance

With proper operation and care your Shimpo RK-Table Top wheel will last for many years.

The wheel head and splashpan should be thoroughly cleaned after every use to prevent water, clay or slip from entering the unit's housing, potentially causing corrosion and damage to the wheel:

1. Turn motor OFF by adjusting the setting switch to the CENTER (OFF) position.
2. Unplug wheel from power source.
3. Remove the rubber plug from the drain hole in the front of the splashpan.
4. With a sponge or towel, remove all water and clay slurry from the pan, wheel head and cabinet.
5. Replace plug in splashpan.

CAUTION: Do not tilt wheel to drain splashpan.

Repair/Replacement

Speed Lever Brake Adjustment

The brake adjustment for the speed lever may need to be adjusted as necessary:

1. Turn wheel OFF by adjusting the setting switch to the CENTER (OFF) position.
2. Unplug wheel from power source.
3. Loosen nut with an adjustable wrench (figure 3).
4. To tighten the brake, turn bolt on opposite side of nut clockwise 1/4 turn.
5. Retighten the nut to lock.
6. Test and readjust as necessary.

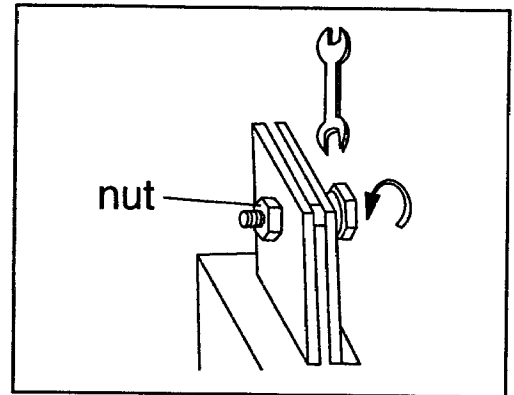


Figure 3

Fuse Replacement

1. Turn wheel OFF by adjusting the setting switch to the CENTER (OFF) position.
2. Unplug wheel from power source.
3. Insert flat head screwdriver into slot on fuse cap and unscrew (figure 4).
4. Remove fuse.
5. Replace with spare fuse from original shipment or use a 3AG, 10 AMP, 125V fuse.
6. Replace fuse cap.

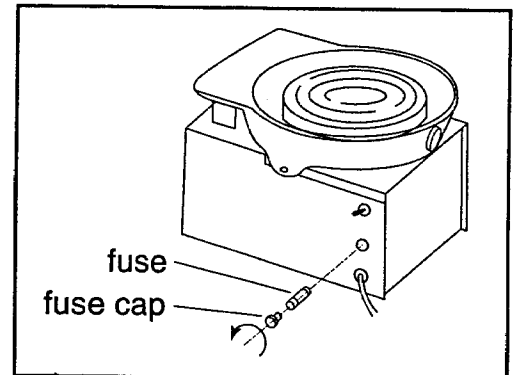


Figure 4

Drive Ring Replacement

1. Turn wheel OFF by adjusting the setting switch to the CENTER (OFF) position.
2. Unplug wheel from power source.
3. Place potter's wheel on side.
4. Insert L-wrench (provided) and remove bolt on bottom of wheel shaft (figure 5).
5. Remove wheel head from top of unit.
6. Place wheel head upside down.
7. Push screwdriver through hole on the side of the wheel head to remove drive ring from groove (figure 6).
8. Place new ring into position.
9. If part of the ring remains out of the groove, apply pressure along the entire ring until it is properly seated (figure 7).
10. Return wheel head to original position.
11. Replace washers and bolt on base of wheel shaft and tighten.
12. Return to upright position.

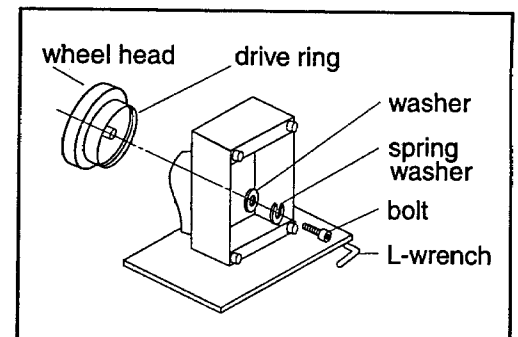


Figure 5

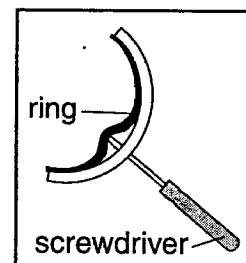


Figure 6

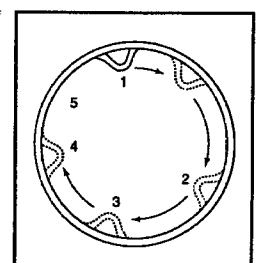


Figure 7

Troubleshooting

The wheel has either stopped or does not turn on:

- Confirm that all electrical components are functioning properly (power source, power cord and fuse)

The wheel experiences a drop in power:

- Confirm that all electrical components are functioning properly (power source, power cord and fuse)
- The drive ring may require replacement (refer to DRIVE RING REPLACEMENT section of manual)

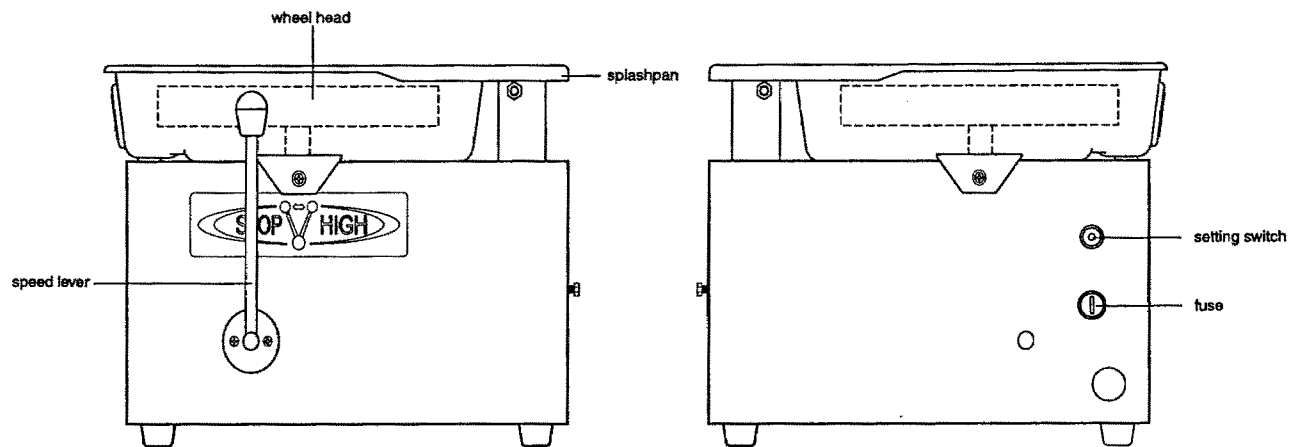
The speed lever moves on its own during throwing:

- The speed lever brake may need to be adjusted (refer to SPEED LEVER BRAKE ADJUSTMENT section of manual)

The wheel does not stop rotating when speed lever is set to STOP:

- The wheel head will continue to rotate momentarily until the inertia is dissipated

Dimensions and Specifications



SPECIFICATIONS	
Model	RK-Table Top
Motor	1/8 HP (100 W)
Input Power	115 VAC, 60 Hz
Centering	10 lb (4.5 kg)
Dimension	16.3" L x 16.3" W x 11.8" H (415 mm x 415 mm x 300 mm)
Ship Weight	52 lb (24 kg)
Wheel Head Diameter	10" (250 mm)
Wheel Head Material	Cast iron
Wheel Head Speed & Direction	0-240 RPM counter-clockwise/clockwise (reversible wheel rotation)
Drive System	Ring and cone
Speed Control	Fixed lever control-side mounting
Standard Accessories	L-wrench, fuse

Warranty

LIMITED EXPRESS WARRANTY: Shimpo warrants, to the original purchaser of new products only, that this product shall be free from defects in workmanship and materials under normal use and proper maintenance for two years from the date of original purchase. This warranty shall not be effective if the product has been subject to overload, misuse, negligence, or accident, or if the product has been repaired or altered outside of Shimpo's authorized control in any respect which in Shimpo's judgment, adversely affects its condition or operation.

DISCLAIMER OF ALL OTHER WARRANTIES: The foregoing warranty constitutes the SOLE AND EXCLUSIVE WARRANTY and Shimpo hereby disclaims all other warranties, expressed, statutory or implied, applicable to the product, including, but not limited to all implied warranties of merchantability and fitness.

LIMITATION OF REMEDY: Buyer must have Shimpo's authorization before returning the product, property repackaged, freight prepaid to Shimpo to obtain warranty service.

Under this warranty Shimpo's SOLE OBLIGATION SHALL BE TO REPAIR OR REPLACE the defective product or part, at Shimpo's option. Shimpo reserves the right to satisfy warranty obligation in full by reimbursing Buyer for all payments made to Shimpo, whereupon, title shall pass to Shimpo upon acceptance of return goods.

INDEMNIFICATION & LIMITATION OF DAMAGES: Buyer agrees to indemnify and hold Shimpo harmless from and against all claims and damages imposed upon or incurred arising, directly or indirectly, from Buyer's failure to perform or satisfy any of the terms described herein. In no event shall Shimpo be liable for injuries of any nature involving the product, including incidental or consequential damages to person or property, any economic loss or loss of use.

MERGER CLAUSE: Any statements made by the Seller's representative do not constitute warranties except to the extent that they also appear in writing in this contract.

This writing constitutes the entire and final expression of the parties' agreement.